

### RATINGS

PARAMETER	SYMBOL	VALUE	UNITS
OPERATING PRESSURE	P	50 TO 250	kPa
OPERATING VOLTAGE	Vs	5.0 +/- 0.36	V
OPERATING TEMPERATURE	Ta	-40 TO 125	°C
STORAGE TEMPERATURE	Tstg	-50 TO 150	°C

- \* 90% OF STEADY STATE RESPONSE TO CHANGE TO ANY OPERATING PRESSURE FROM ANY OTHER OPERATING PRESSURE.
- \*\* APPLICATION OF 4.74V PART MUST STABILIZE WITHIN +/-0.2 kPa.
- \*\*\* OUTPUT NOISE DEFINED AS AC VOLTAGE > 10 KHz.

#### MECHANICAL REQUIREMENTS

- VENT HOLES ARE TO BE WITHIN AREAS SHOWN.
- EXAMPLE BAR CODE LABEL ATTACHED IN AREA SHOWN. LABEL WILL INCLUDE PART NUMBER AND TRACEABILITY INFORMATION.
- RECOMMENDED MOUNTING PROCEDURE FOR THE PRESSURE SENSOR IS TO HAVE THE PORT POINTING DOWN WITHIN 30° OF VERTICAL. THIS WILL INSURE THAT ANY CONDENSATE OR LIQUID IN THE LINE WILL DRAIN AWAY FROM THE SENSOR CELL. MOUNT HIGHER THAN VACUUM SOURCE. CONNECTING TUBE NOT TO SAG BELOW HORIZONTAL TO MINIMIZE FLUID BUILD UP. 250 MAXIMUM TUBE LENGTH.
- MOUNTING HOLES: MAXIMUM TIGHTENING TORQUE ON M5 MOUNTING BOLT 3.3Nm.
- SOCKET SHOWN MATES WITH PACKARD WEATHERPACK TYPE 12103771 KEYCODE 430.
- LABEL POSITIONED CENTRALLY ON FACE INDICATED.

#### ELECTRICAL REQUIREMENTS

- UNIT MUST MEET RATINGS ABOVE.
- UNIT MUST MEET THE FOLLOWING TRANSFER FUNCTION WITH ALLOWABLE ERROR OF FIG 1 & 2. (ALLOWABLE ERROR  $V_e = V_{cc} T_e P_e 0.004$ ):  $V_o = V_c (0.004P - 0.1)$ .
- THE CURRENT DRAIN OF THE UNIT MUST BE LESS THAN 20mA AT 5.50V SUPPLIED AT 125°C.
- RESPONSE TIME OF PART (90% OF STEADY STATE) TO RESPOND TO ANY OPERATING PRESSURE TO ANY OTHER OPERATING PRESSURE MUST BE LESS THAN 6ms.
- RESPONSE TO POWER-UP DEFINED AS APPLICATION OF 4.75V, SENSOR MUST STABILIZE WITHIN +/-0.2kPa WITHIN 6.25ms.
- OUTPUT NOISE DEFINED AS AC VOLTAGE > 10kHz SHALL NOT BE GREATER THAN 10mv PEAK TO PEAK WHEN A LOAD OF 51kOHM 0.16uF IN PARALLEL IS USED.
- CONNECTION TUBE MATERIAL: 194 COPPER ALLOY PER M-10389. TIN PLATE 2.54/7.62 MICRON THICKNESS PER F-2024.

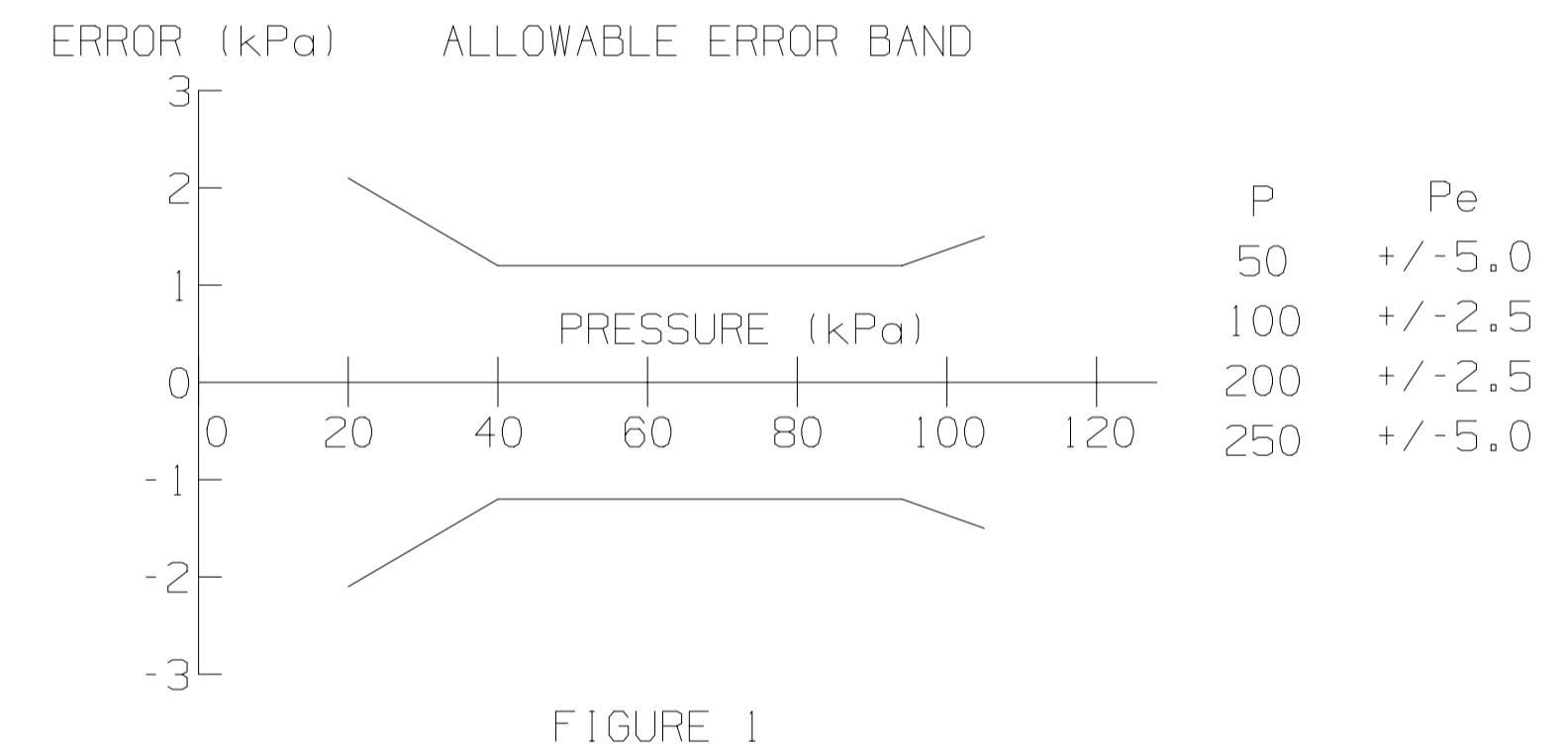


FIGURE 1

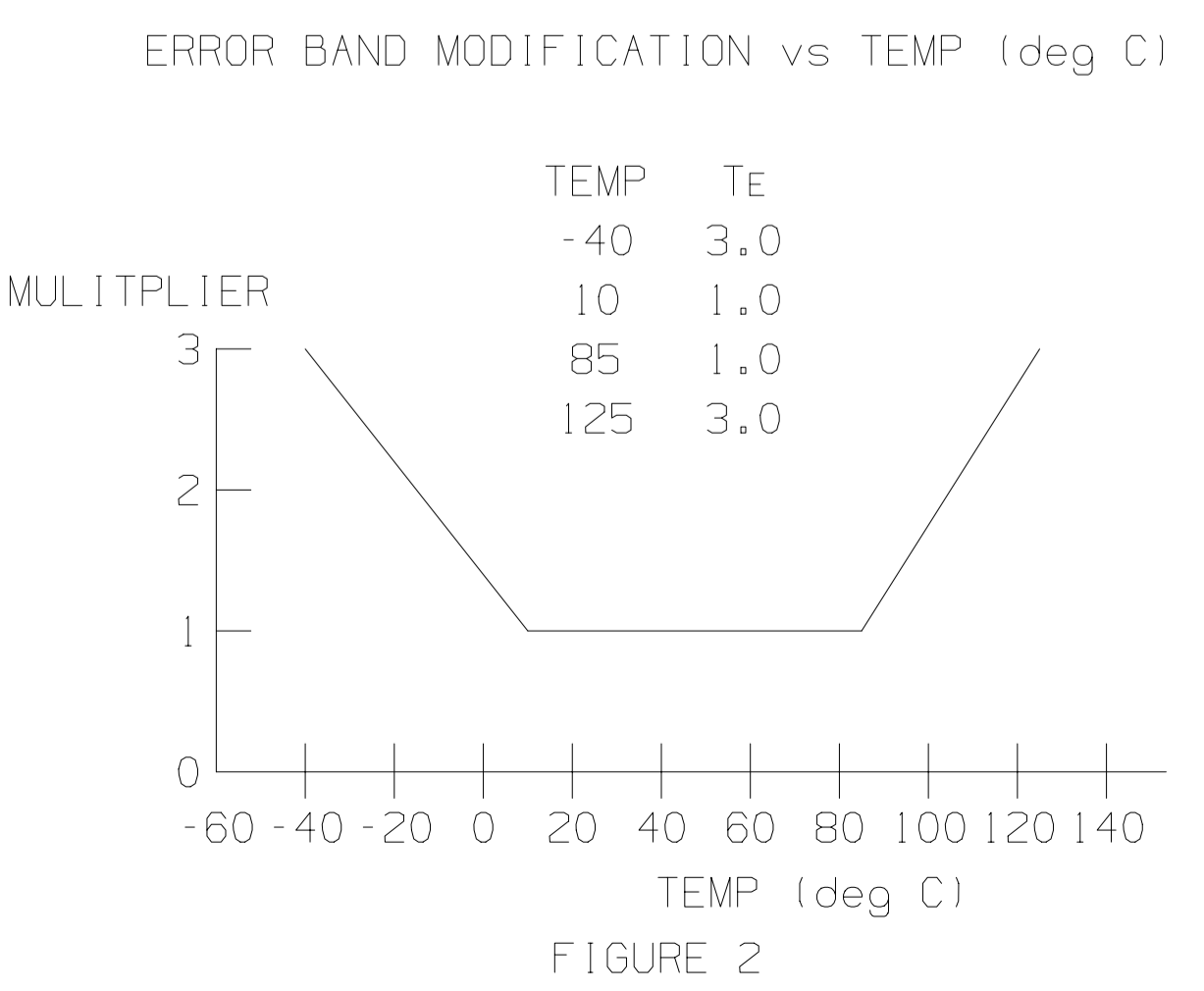
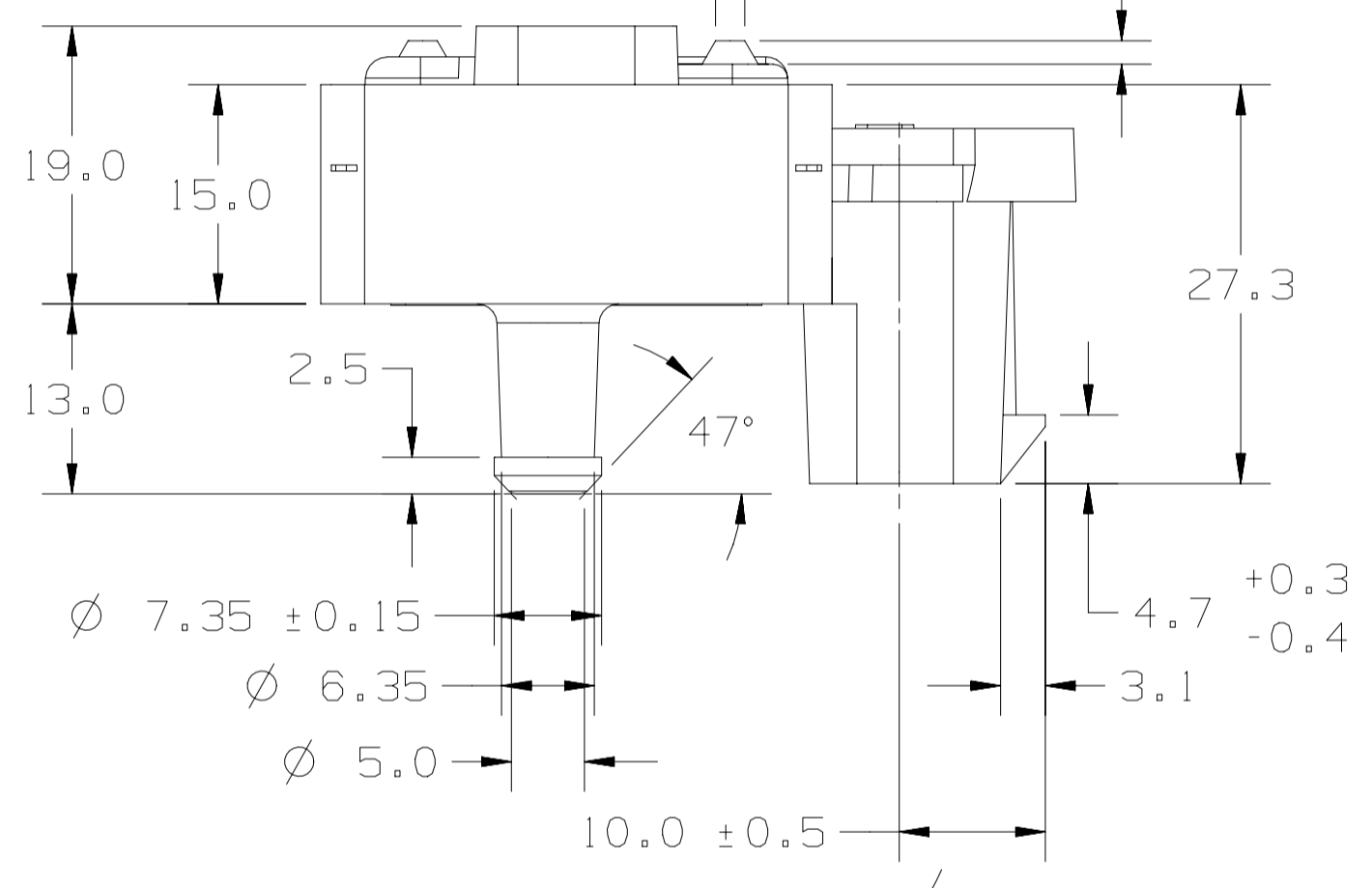
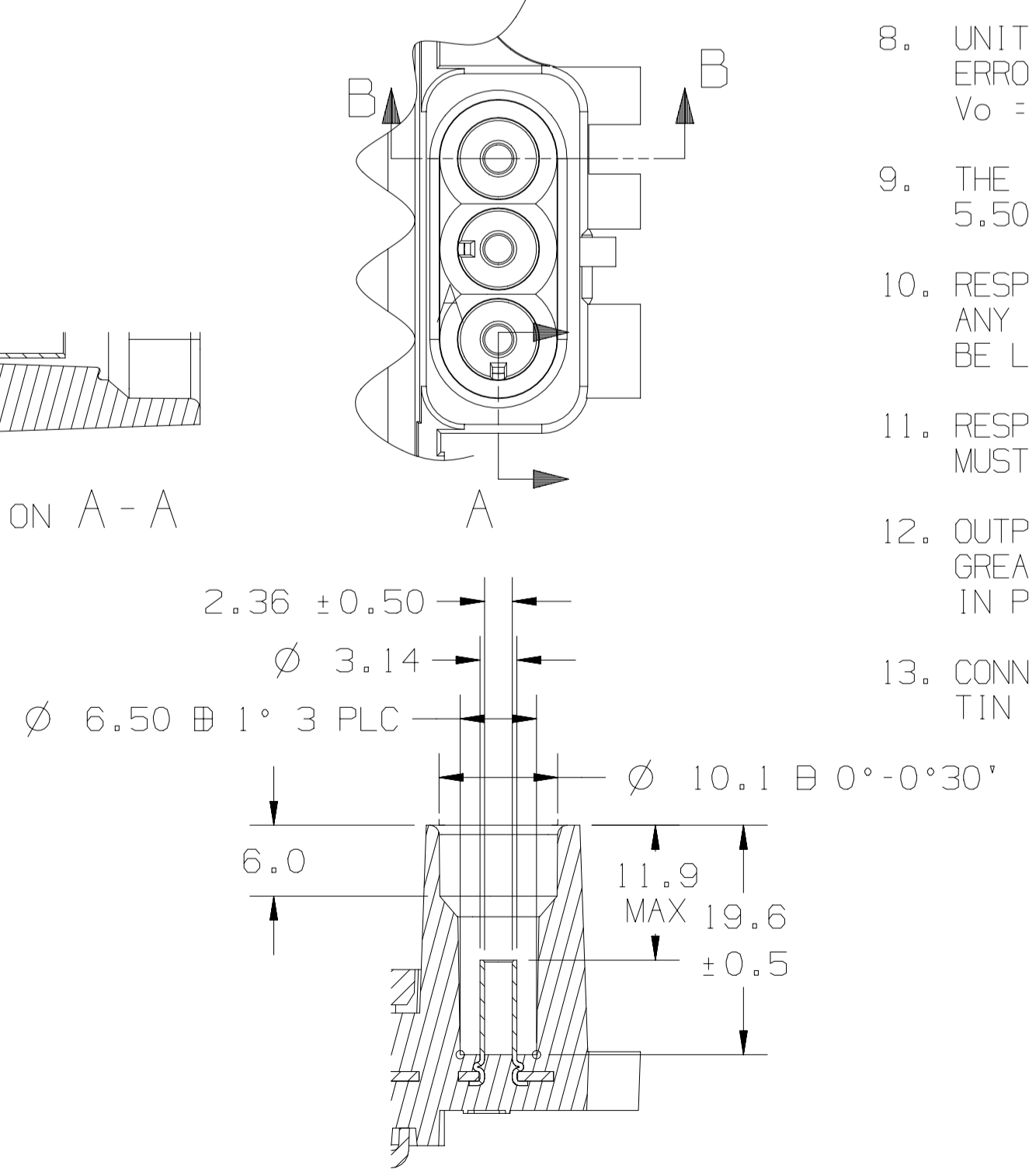


FIGURE 2



SECTION A-A



SECTION B-B

KEY PRODUCT CHARACTERISTICS		DRAWING NAME	
SAFETY/COMPLIANCE	FIT/FUNCTION	OUTLINE-P/SNSR	
TOTAL ON DRAWING	0	PART NUMBER	12223851
LAST NUMBER USED	0	SHT 1 OF 1	

SCALE 2/1 DIST -

## DELPHI

Automotive Systems

**METRIC** ← mm →

UNLESS OTHERWISE SPECIFIED; ALL DIMENSIONS ARE IN MILLIMETERS, AND THE TOLERANCES ARE:

ONE PLACE DECIMALS ± 0.4  
TWO PLACE DECIMALS ± 0.25

ANGLES ± -  
DRAFT ANGLES ± -  
SHARP CORNERS ± -

**GD&T** SEE ASME Y14.5M-94 FOR GD&T INTERPRETATION CHANGES ALLOWED ONLY BY PDM DOCUMENT PROCEDURES  
**PDM** DO NOT SCALE  
**UG** THIRD ANGLE ISOMETRIC PROJECTION

FIRST USED	DES	19AP02
12223851	DEREK A. DELRYMPLE	
REFERENCE	APR	19AP02
GEN 1.5	R. LONGSTREET	
EXP MODEL	APR	19AP02
-	J. SCHNEIDER	
EXP NUM	APR	
160068350	N/A	
	N/A	
	N/A	

MATERIAL SPEC: PBT 30% GLASS, BLACK & NOTE 13