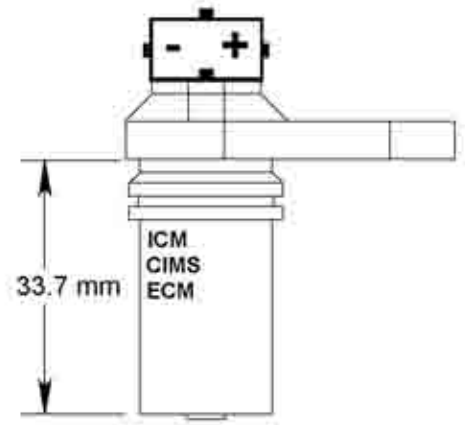
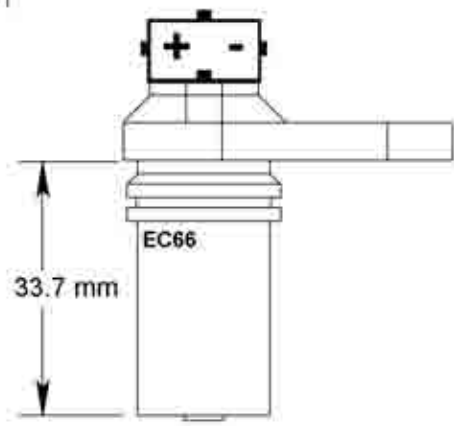
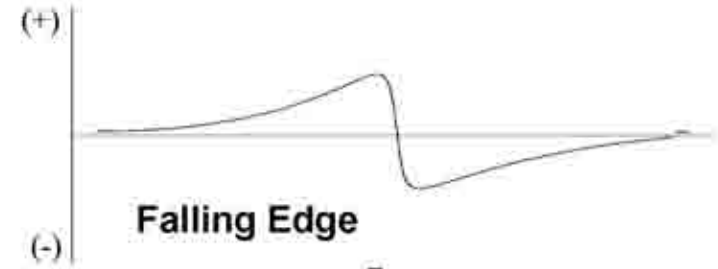
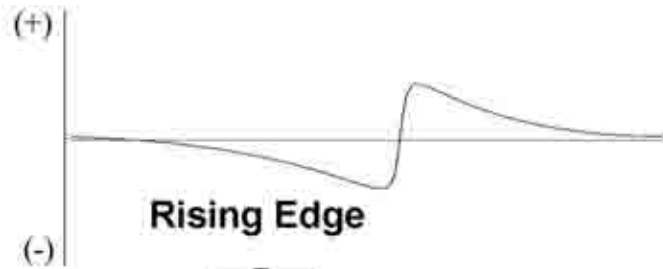
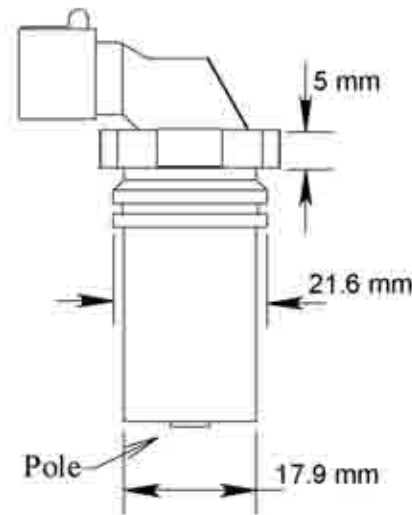


Crank/Cam Sensor - 22039

Sensor generates an electrical signal as a ferrous target passes by the pole piece at a set gap.
 Air Gap: 1mm (+0/-0.5mm)
 Target Speed: 1.067 meters per second

Resistance: 630 ± 70 Ohms
 Output: 0.5 to 400 Volts
 Operating Temp: -40 °C to 160 °C



Omnitek Engineering, Corp.		Part #	22039		Drawing #
Sheet 1 of 1		Description: Inductive Crank Sensor		Scale 1 : 1	Revision 0
Material: TBA	Finish: TBA	Drawn By: TE	Approval By:	Date: January 5, 2000	